

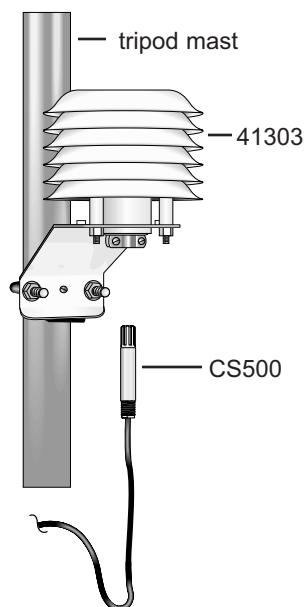
Naturally Aspirated Radiation Shields

Models 41303, 41003, UT6P, UT12VA

Temperature probes that are exposed to sunlight should be housed in a radiation shield to reduce the effects of solar loading on the temperature measurement. Campbell Scientific offers six-, 10-, and 12-plate, naturally aspirated, Gill radiation shields for our temperature and RH probes.

41303 6-Plate Radiation Shield

- Houses our 107-L or 108-L Temperature probe or a CS500-L Temperature and RH probe.
- Attaches directly to a tripod mast or the leg of a UT10.

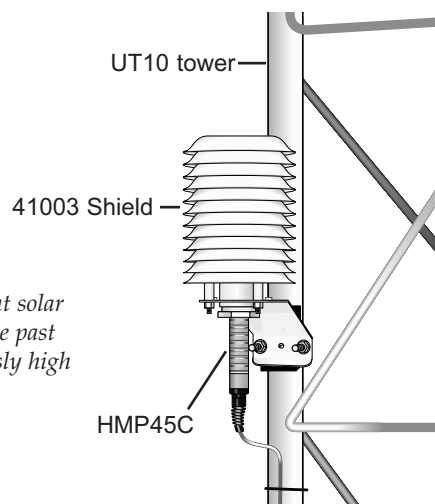


The probe fits into the bottom of the shield and is held into place with screws. A U-bolt attaches the radiation shield to the tripod mast or the leg of a UT10 tower.

41003 10-Plate Radiation Shield

- Houses our HMP45C-L Temperature and RH probe.
- If an adapter is used, can house a 107-L or 108-L Temperature probe or a CS500-L Temperature and RH probe.
- Attaches directly to a tripod mast or the leg of a UT10 tower.

All of our white Gill radiation shields prevent solar loading on the probes by allowing air to move past the probe. Solar loading can cause erroneously high temperature readings.



CAMPBELL SCIENTIFIC
CANADA CORP.

11564 - 149 street - edmonton - alberta - T5M 1W7
tel 780.454.2505 fax 780.454.2655
www.campbellsci.ca

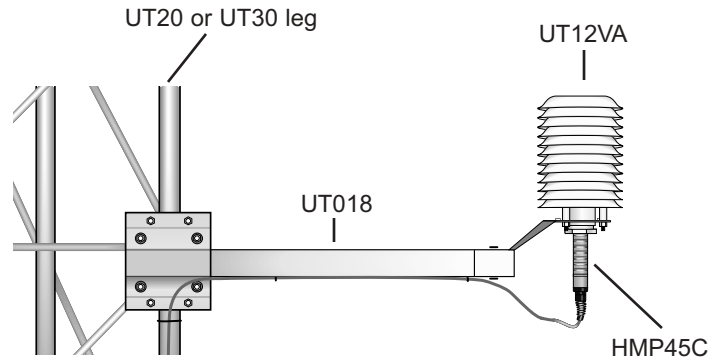
UT6P 6-Plate Radiation Shield

- Designed to be attached to the leg of the UT20 or UT30 tower (requires a Tower Mounting Bracket).
- Houses our 107-L or 108-L Temperature probe or a CS500-L Temperature and RH probe.

UT12VA 12-Plate Radiation Shield

- Designed to be attached to the leg of a UT20 or UT30 tower (requires a Tower Mounting Bracket)
- Houses our HMP45C-L Temperature and RH probe.
- If an adapter is used, can house a 107-L or 108-L Temperature probe or a CS500-L Temperature and RH probe.

The UT6P and UT12VA attach to the leg of a UT20 or UT30 tower via a UT018 or UT018-5 Tower Mounting Bracket.



Supporting Equipment

- R41322 Adapter Plate that allows a 10- or 12-plate shield to house the 107 or 108 probe
- 41381 Adapter that allows a 10- or 12-plate shield to house the CS500 probe
- UT018 Tower Mounting Bracket with 2-foot crossarm. A Tower Mounting Bracket is required when using a UT6P or UT12VA
- UT018-5 Tower Mounting Bracket with 5-foot crossarm. Allows a UT6 or UT12VA and another tower instrument mount such as the UTLI to be attached to the tower at the same height on opposite sides