

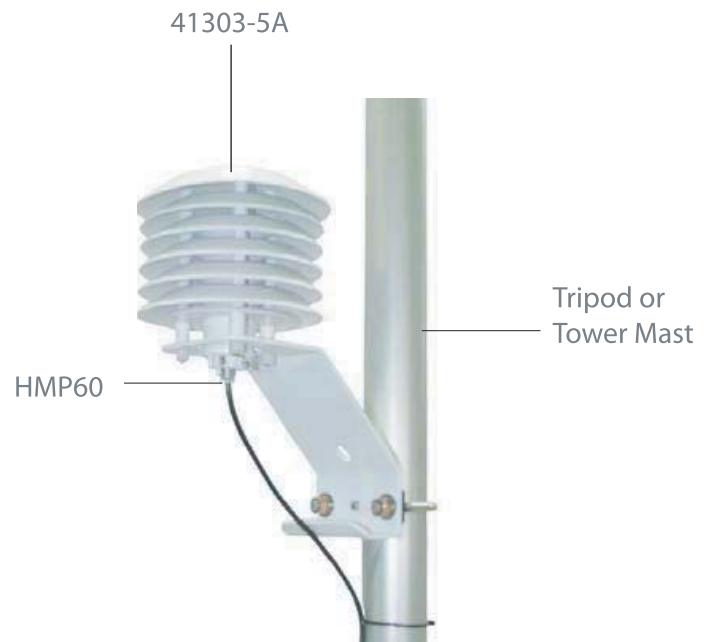
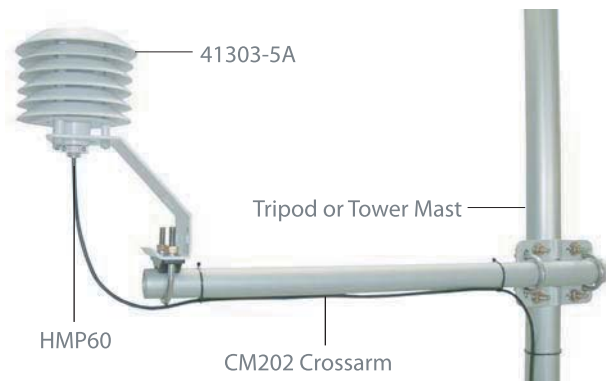
HMP60

Temperature and Relative Humidity Probe

The HMP60, manufactured by Vaisala, measures air temperature for the range of -40° to 60°C, and relative humidity for the range of 0 to 100% RH. It uses the INTERCAP® capacitive RH chip. This field-replaceable chip eliminates the downtime typically required for the recalibration process.

Sensor Mounts

When exposed to sunlight, the HMP60 must be housed in a solar radiation shield, typically the 41303-5A. The 41303-5A is a 6-plate naturally-aspirated radiation shield. To attach the 41303-5A directly to a mast or tower leg, place the U-bolt in the side holes. To attach the 41303-5A to a CM202, CM204, or CM206 cross-arm, place the 41303-5A's U-bolt in the bottom holes.



Recommended Cable Lengths

2-m Height		Atop a tripod or tower via a 2-ft crossarm such as the CM202								
Mast/Leg	CM202	CM6	CM106	CM10	CM110	CM115	CM120	UT10	UT20	UT30
9 ft	11 ft	11 ft	14 ft	14 ft	14 ft	19 ft	24 ft	14 ft	24 ft	37 ft

Note: Add two feet to the cable length if mounting the enclosure to the leg base of a CM106, CM110, CM115, or CM120 tripod.

Specifications

Supply Voltage:	5 to 28 Vdc (typically powered by datalogger's 12 V supply)
Current Consumption	
Typical:	1 mA
Maximum:	5 mA
Dimensions	
Diameter:	0.47 in. (1.2 cm)
Length:	2.8 in. (7.1 cm)
Weight with 6 ft cable:	0.1 lb (0.05 kg)
Housing Material:	chrome-coated aluminum and chrome-coated ABS plastic
Filter	
Description:	0.2 μ m Teflon membrane
Diameter:	0.5 in (1.2 cm)
Settling Time:	1 s

Air Temperature

Temperature Sensor:	1000 ohm Platinum Resistance Thermometer
Measurement Range:	-40° to +60°C
Temperature Accuracy:	$\pm 0.6^\circ\text{C}$

Relative Humidity (RH)

Sensor:	Vaisala's INTERCAP capacitive chip
Measurement Range:	0 to 100% RH, non-condensing
Accuracy	
0° to +40°C:	$\pm 3\%$, 0 to 90% range; $\pm 5\%$, 90 to 100% range
-40° to 0°C:	$\pm 5\%$, 0 to 90% range; $\pm 7\%$, 90 to 100% range
+40° to +60°C:	$\pm 5\%$, 0 to 90% range; $\pm 7\%$, 90 to 100% range

