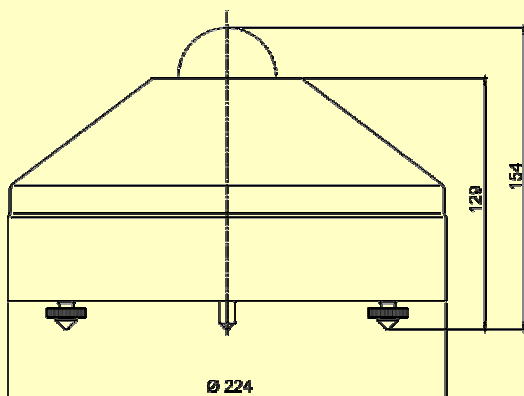
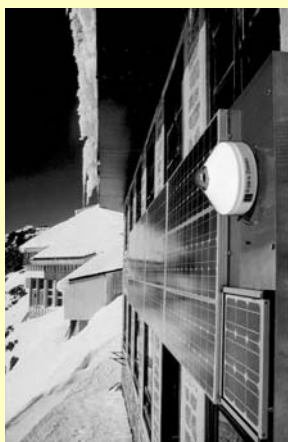



**Specifications**

Ventilation power	5 Watt continuously
Heating (optional)	5 and 10 Watt
Operating temperature	-30 °C to +70 °C
Air temperature rise caused by CV 2	< 0.25 K @ 0 Watt (blower only) < 0.5 K @ 5 Watt (heater) < 1 K @ 10 Watt (heater)
Offset caused by heater	< 1 W/m <sup>2</sup> using pyranometer CM 11
Cable length	10 m.
Power required	12 Volt DC, 1,25 A (with heater)

**Dimensions**


Dimensions in mm.

**Application example**


Testing photo-voltaic panels, Jungfrauoch in Switzerland, using CM 21 + CV 2

**CV 2** is designed for Kipp & Zonen pyranometers CM 6B, CM 11, CM 21 and pyrgometer CG 1

Ventilation of the pyranometer improves the reliability and accuracy of the solar radiation measurement.

This is achieved by:

- Prevention of precipitation such as dew, snow and frost, which would otherwise disturb the measurement.
- Suppression of the infrared offset, which is produced e.g. by cooling down of the glass domes under calm clear sky conditions

**CV 2** is easy to use. The only part that needs maintenance is the removable filter at the bottom. It has to be checked on regular intervals.

**CV 2** can be used under all weather conditions.

**Accessories / Spare parts:**

- Power supply (90-264 Volt AC) part no. 2547 123
- Spare filters (5 pieces) part no. 2682 916