

Temperature and Relative Humidity Probe

Model CS500

The CS500 is a modified version of Vaisala's 50Y Humitter. The CS500 measures air temperature with a 1000 ohm platinum resistance thermometer (PRT); RH is measured by a laser-trimmed INTERCAP capacitive chip. The chip is field-replaceable, as needed, and eliminates the downtime typically required for the recalibration process.

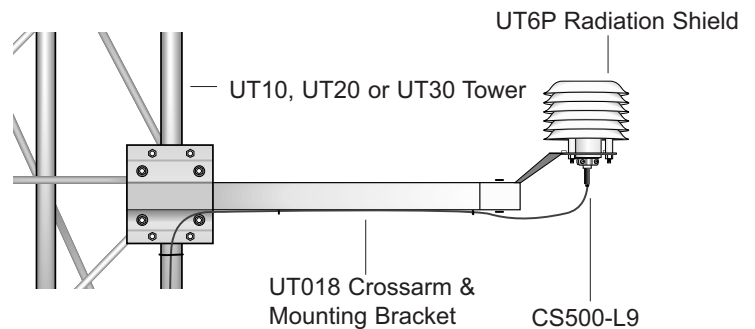
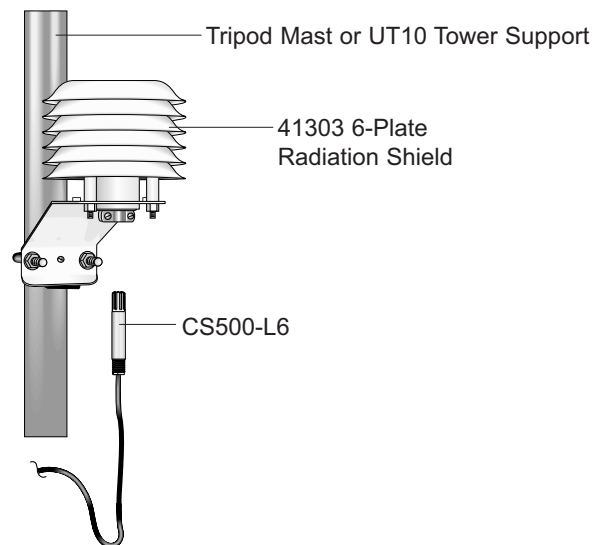
Sensor Mounts

When exposed to sunlight, the CS500 must be housed in a radiation shield. If the CS500 is mounted to a CM6/CM10 tripod or a UT10 tower, a model 41303 6-plate radiation shield is used. If the CS500 is mounted on a UT20 or UT30 tower, a UT018 Crossarm and Mounting Bracket and a UT6P 6-plate radiation shield are used.



Ordering Information

- CS500-L6 6 ft lead length for use with CM6/CM10 tripods or a UT10 tower.
- CS500-L9 9 ft lead length for use with a UT10, UT20 or UT30 tower and a UT018
- L9598 Replacement chip for the CS500.
- UT018 Crossarm and Mounting Bracket; required for mounting the CS500 to a UT20 or UT30 tower



CAMPBELLSCIENTIFIC
CANADA CORP.

11564 - 149 street - edmonton - alberta - T5M 1W7
tel 780.454.2505 fax 780.454.2655
www.campbellsci.ca

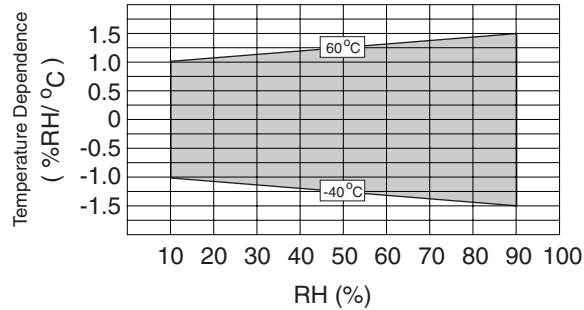
Specifications

Relative Humidity

Operating Range: 0 to 100% RH

Accuracy: 0-10% range: unspecified
10-90% range: $\pm 3.0\%$
90-100% range: $\pm 6.0\%$

Temperature Dependence of Relative Humidity Measurement:

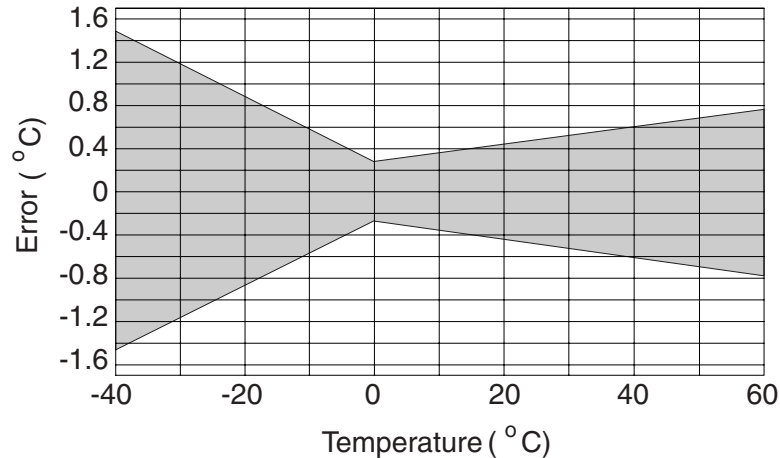


Typical Long-Term Stability: Better than $\pm 1\%$ RH per year

Temperature

Measurement Range: -40° to $+60^{\circ}\text{C}$

Temperature Accuracy:



General

Supply Voltage: 7-28 Vdc (typically powered by datalogger's 12 V supply)

Current Consumption: < 2 mA typical

Diameter: 0.47" (12 mm)

Length: 2.66" (67.5 mm)

Housing Material: ABS plastic