

52202

Electrically Heated Rain and Snow Gage



R. M. Young's Model 52202 is a heated rain gage that provides year-round measurement of rain or snow. This gage requires a reliable source of 24 Vac power. It includes a wall transformer that plugs into a wall socket and provides 24 Vac.

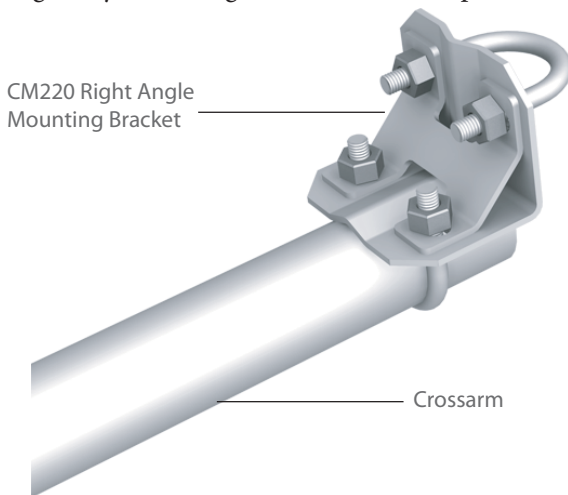
The 52202's catchment area of 200 cm² and measurement resolution of 0.1 mm meet the recommendations of the WMO. This rain gage funnels precipitation into a mechanism that tips when filled to the calibrated level. Each tip is marked by a magnetic reed switch closure that is recorded by a Campbell Scientific data-logger pulse count channel.

Mounting

The 52202 is supplied with a 12-in.-long x 1-in. IPS unthreaded aluminum pipe, which mounts to a cross-arm via a CM220 Right Angle Mounting Bracket. Alternatively, the 52202 can be attached to the top of our stainless-steel tripods via the CM216 Sensor Mounting Kit. The CM216 extends 4 in. above the mast of a stainless-steel CM110, CM115, or CM120 tripod.

Wind Screen

Campbell Scientific offers the 260-953 Wind Screen to help minimize the affect of wind on the rain measurements. This wind screen consists of 32 leaves that hang freely and swing as the wind moves past them.



A closeup of the CM220 Right Angle Mounting Bracket shows the construction and crossarm attachment.



Ordering Information

Tipping Bucket Raingage

Recommended cable length is 25 ft, but many customers will order a 50-ft cable to place the gage away from the tower or tripod.

52202-L-LP Heated tipping bucket with 0.1-mm tips. Enter signal cable length (in feet) after the -L and enter the power-cable length after the -LP.

Mounts

CM220 Right Angle Mounting Bracket for attaching the 52202 to a crossarm, such as a CM202, CM204, or CM206.

CM216 Sensor Mounting Kit for attaching the 52202 to the top of a CM110, CM115, or CM120 stainless-steel tripod.

Wind Screen

260-953 Novalynx Alter-type Rain Gage Wind Screen

Specifications

Sensor Type:	Tipping bucket with magnetic read switch
Accuracy:	2% up to 1 in. hr ⁻¹ (25 mm hr ⁻¹); 3% up to 2 in. hr ⁻¹ (50 mm hr ⁻¹)
Resolution:	0.004 in. (0.1 mm)
Orifice Diameter:	6.3 in. (16 cm)
Catchment Area:	31 in. ² (200 cm ²)
Temperature Range:	-20° to +50°C
Humidity Range:	0 to 100%
Power:	18 Watts @ 24 Vac
Contact Rating:	24 Vac/dc, 500 mA maximum
Dimensions	
Diameter:	7.3 in (18.5 cm)
Height:	11.8 in. (30 cm)
Weight:	2.55 lbs (1.16 kg)
Power Plug Weight:	0.95 lbs (0.43 kg)

