

**MODEL 06206
MARINE WIND TRACKER**



NOVEMBER 2001

MANUAL PN 06206-90

R. M. YOUNG COMPANY

2801 AERO-PARK DRIVE, TRAVERSE CITY, MICHIGAN 49686, U. S. A.
TEL: (231) 946-3980 FAX: (231) 946-4772

WARRANTY AND ASSISTANCE

R.M. YOUNG PRODUCTS are warranted by CAMPBELL SCIENTIFIC (CANADA) CORP. ("CSC") to be free from defects in materials and workmanship under normal use and service for **twelve (12) months** from date of shipment unless specified otherwise. ******* Batteries are not warranted. ******* CSC's obligation under this warranty is limited to repairing or replacing (at CSC's option) defective products. The customer shall assume all costs of removing, reinstalling, and shipping defective products to CSC. CSC will return such products by surface carrier prepaid. This warranty shall not apply to any CSC products which have been subjected to modification, misuse, neglect, accidents of nature, or shipping damage. This warranty is in lieu of all other warranties, expressed or implied, including warranties of merchantability or fitness for a particular purpose. CSC is not liable for special, indirect, incidental, or consequential damages.

Products may not be returned without prior authorization. To obtain a Return Merchandise Authorization (RMA), contact CAMPBELL SCIENTIFIC (CANADA) CORP., at (780) 454-2505. An RMA number will be issued in order to facilitate Repair Personnel in identifying an instrument upon arrival. Please write this number clearly on the outside of the shipping container. Include description of symptoms and all pertinent details.

CAMPBELL SCIENTIFIC (CANADA) CORP. does not accept collect calls.

Non-warranty products returned for repair should be accompanied by a purchase order to cover repair costs.



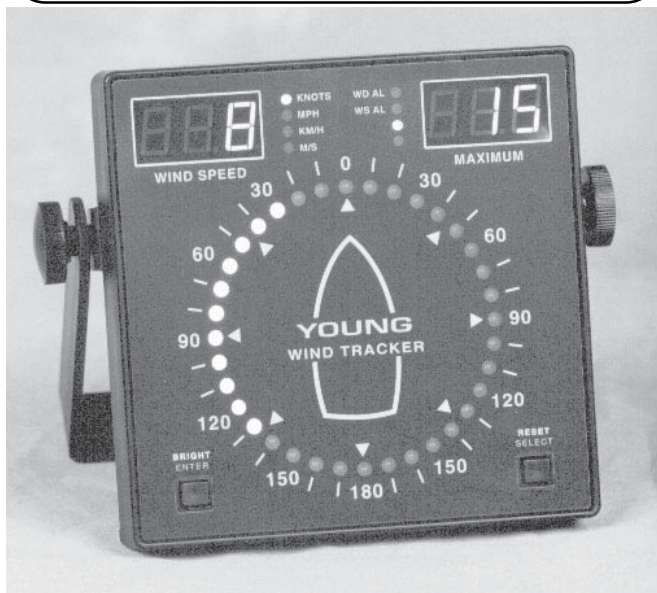
CAMPBELL SCIENTIFIC
CANADA CORP.

11564 - 149 street - edmonton - alberta - T5M 1W7
tel 780.454.2505 fax 780.454.2655

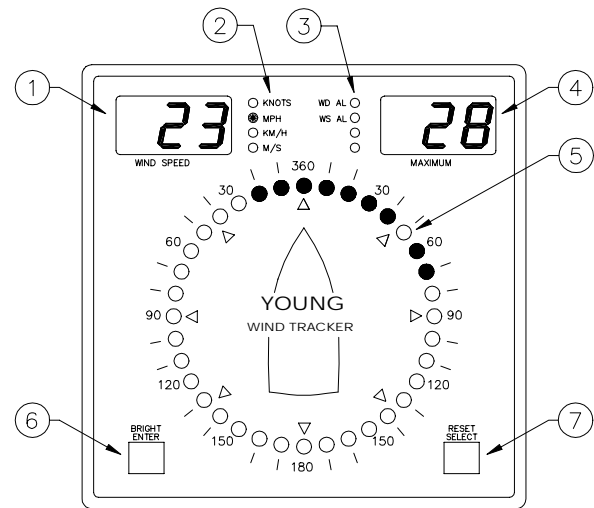
www.campbellsci.ca



MODEL 06206 MARINE WIND TRACKER



FRONT PANEL



1. Wind Speed Display
2. Wind Speed Units Indicator
3. Alarm Status Indicators
4. Maximum Wind Speed or Relative Wind Direction Display
5. Relative Wind Direction and Variability Display
6. Brightness (operate mode), ENTER (setup mode)
7. MAX RESET (operate mode), SELECT (setup mode)

INTRODUCTION

The YOUNG Model 06206 Marine Wind Tracker is a compact wind speed and wind direction display. This model has features such as relative wind angle and NMEA compatibility that make it suitable for shipboard use.

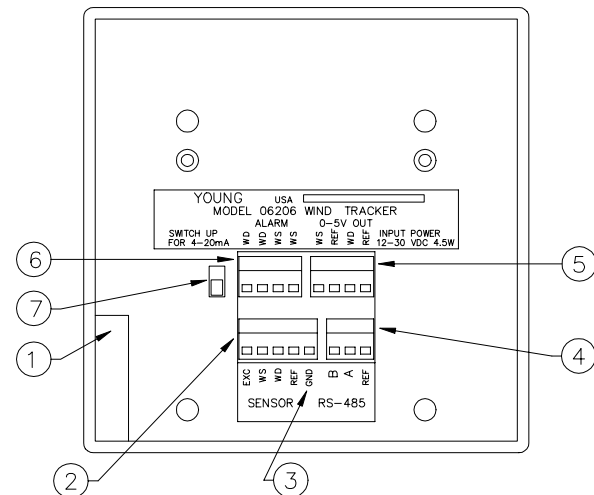
FEATURES

- 3 digit wind speed display
- 3 digit maximum wind speed or wind direction display
- Multi-color wind direction display with variability display
- Wind speed and direction alarms with delay
- RS-485/NMEA serial connections
- Calibrated 0-5 VDC outputs
- Display brightness control
- 4-20 mA Sensor Inputs
- Luminous front panel markings

PRECAUTIONS

- INDOOR USE ONLY unless placed in approved enclosure.
- Operating temperature range 0-50°C (32-122°F), 0-95% RH.
- Use only recommended power sources; 12-30VDC, 4.5 W.
- Disconnect power when making connections or servicing sensors.
- MAXIMUM 24 VAC/30 VDC on alarm relay contacts.

BACK PANEL



1. Power input (12-30 VDC) AC adapter supplied
2. Sensor or 4-20 mA inputs
3. Earth ground connection
4. RS-485/NMEA serial connections
5. 0-5 VDC calibrated outputs
6. Alarm relay connections (normally open)
7. Input selector switch

MOUNTING AND START-UP

1. Select location for display. A location out of direct sunlight provides best visibility.

The Wind Tracker may be mounted from a bulkhead or installed in a flush panel by removing the mounting bracket. Panel cutout dimensions are given in the specifications. An optional rack mounting panel (Model 06280) and protective enclosure (Model 06260) are available from your YOUNG supplier.

2. Connect cables to terminals. Refer to diagrams on page 5.

Selector switch (item 7 on back panel illustration) should be DOWN for normal sensor inputs, UP for 4-20 mA or Wind Monitor-SE signals.

3. Connect GND terminal to suitable earth ground.
4. Insert power supply plug into power jack, plug into standard AC wall outlet.

The Wind Tracker may also be powered from ships batteries. A coaxial power plug (2.1mm) must be used. Center is positive.

5. The Wind Tracker will display a software version number for approximately 4 seconds. It then begins to display wind information. The following information is displayed:

- Wind Speed
- Wind Speed Units
- Maximum Wind Speed or Direction degrees
- Relative Wind Direction (single orange indicator)
- Direction Variability (green indicators)
- WS, WD Alarm Status Indicators (if selected)

6. Observe the unit for a few minutes to verify that it is operating properly. If you wish to change settings (ie: wind speed units). See the following section.

CHANGING SETTINGS

The Wind Tracker has a setup mode that allows you to easily change sensor type, wind speed units, alarm settings, and other functions.

Press and hold **ENTER** and **SELECT** keys (about 5 seconds). The display will briefly flash "SET UP", then begin the SETUP sequence. Change settings with the **SELECT** key. Press the **ENTER** key to save a setting and move to the next step. Abbreviations in the left and right display windows identify each function and the available selections.

DISPLAY	SETUP FUNCTION
LEFT	RIGHT
InP	LDi Input/Sensor Type
	03 Line Driver 4-20 mA input
	04 Wind Sentry
	05 Wind Monitor-Jr
	Wind Monitor, Wind Monitor-MA
	SEr Serial input from Wind Monitor-SE or main display
	<i>If SEr is selected, wind speed units and NMEA output rate selections do not appear.</i>
SPd	unt Wind Speed Units
	Press SELECT to change units, ENTER to proceed.

OUT	FST SLO	NMEA Output Rate 16 sentences sent per second 1 sentence sent per second
dSP	SPd dir	Display Displays MAXIMUM wind speed in right display. Displays WIND DIRECTION degrees (1° resolution) in right display.
ALr	no YES	Wind Direction Alarm WD alarm not used. WD alarm activated. <i>If no is selected, the following 2 steps do not appear.</i>
ALr	dir	Press SELECT to position alarm sector. Press ENTER.
ALr	SPn	Press SELECT to set size (span) of alarm sector.
ALr	no YES	Wind Speed Alarm WS alarm not used. WS alarm activated. <i>If no is selected, the following step does not appear.</i>
ALr	000	WS alarm set point. Press SELECT to change digits. ENTER to save. <i>If no alarm is selected, the following 2 steps do not appear.</i>
dLY	030	Alarm Delay Time Set alarm delay time in seconds (0-999).
Snd	no YES	Sound No sound with alarm. Audible beeper will sound with alarm.
tSt	no YES	Test Functions Skip test functions. For troubleshooting only. YES will initiate the following tests. <i>If no is selected, the unit will return to normal operation.</i>
tSt	Snd dSP	Press SELECT to sound beeper. Press SELECT to illuminate all display segments.
tSt	ALr	Press SELECT to close alarm relays.
CAL	0.00	Press SELECT to alternate between 0.00 Vout and 5.00 Vout at terminals. Use to calibrate external devices (recorders, etc..)

ADDITIONAL INFORMATION

ALARMS

Wind speed and wind direction alarm functions are accessed in the SETUP sequence. Either or both alarms may be used. When activated, alarms are indicated on the front panel. When an alarm condition exists, the indicator will blink and the associated relay contact will close and the beeper will sound if selected in SETUP. When a delay time is set, the indicator will not report an alarm condition until it has existed for one complete delay period. Alarm activity will cease when conditions are outside the alarm range for one complete delay period. For a "latching" alarm effect, use the Wind Tracker alarm contacts to activate an external latching-type relay.

BRIGHTNESS

Adjust display brightness by holding the BRIGHT key.

MAXIMUM / WIND DIRECTION DIGITAL DISPLAY

The right display window can show either MAXIMUM WIND SPEED or Numerical WIND DIRECTION. This selection is made in the setup mode under **Display (dSP)**.

NMEA OUTPUT

The Wind Tracker features NMEA serial output from the RS-485 terminals. These terminals can be used to operate remote displays or connect to other NMEA compatible devices. The NMEA output sentence is sent 16 times per second (Fast) or once per second (Slow) depending on the **NMEA Output (OUT)** setting in SETUP. For best remote display, use the Fast setting.

REMOTE DISPLAYS

The Wind Tracker can be used as a remote display by selecting "InP SEr" during SETUP. Remote displays are connected to the main display using the RS-485 terminals. NMEA Serial Protocol is used to operate remote displays. Up to 16 remote displays can be connected to one main display. Use the serial input when connecting to a Model 09101 Wind Monitor-SE sensor. See wiring diagram.

VOLTAGE OUTPUTS

The Wind Tracker offers calibrated voltage outputs for both wind speed and wind direction. This feature allows the use of recorders and other devices. Full scale voltage for each channel is 5.00 VDC.

4-20mA INPUTS

The Wind Tracker accepts 4-20 mA (Line Driver) inputs. Line Driver circuit must provide 0-50 M/S Wind Speed scaling ("M" suffix). Connect cable as indicated on page 4. Slide switch on back must be UP at power up for correct 4-20 mA operation. Select LDI as input in SETUP. **24 VDC power is required for line driver applications.**

ERROR MESSAGES

The Wind Tracker detects and indicates two errors. Once corrected, the error indication disappears.

DISPLAY

LDi	Err	4-20 mA (line driver) signal. Signal is missing or outside of acceptable range. Verify proper switch position or signal.
SEr	Err	Unit is set to receive RS-485 NMEA serial signal, but no serial data is coming in. Verify that NMEA source is operating. Check cables for proper connection.

WARRANTY

The Wind Tracker is warranted to be free of defects in materials and construction for a period of 12 months from date of purchase. Coverage is limited to repair or replacement of defective unit.

SPECIFICATIONS

Size: 144 mm (5.65 in) x 144 mm (5.65 in) x 36 mm (1.4 in)

Panel Cutout: 138 mm (5.43 in) x 138 mm (5.43 in)

Compatible Sensors:

Wind Monitor-SE
Wind Monitor
Wind Monitor-MA
Wind Monitor-JR
Wind Sentry

Other Inputs:

4-20 mA
NMEA Serial Input/Output
\$WIMWV,ddd,R,sss,u,A[CR][LF]
where:
ddd wind direction in degrees
sss wind speed (ss.s for m/s)
u units (N = knots, K = kilometers/hour,
M = meters/second, S = miles/hour)

Accuracy: $\pm 0.6\%$ F.S.

Display Resolution:

Wind Direction: 10° circular pattern (36 points)
1° w/ **dSP dlr** selected

Wind Speed &

Maximum: 1 Knot, 1 MPH, 1 KM/H, 0.1 M/S

Voltage Outputs:

Wind Direction Range:
0-5 VDC 0-360°
Wind Speed Range: (dependent on units selected)
0-5 VDC 0-100 Knots
0-100 MPH
0-200 KM/H
0-50 M/S

Alarm Relays: Non-latching

Normally Open contacts for WS and WD.
Contact rating 5A resistive,
2A inductive @ 24 VAC, 30 VDC.

Input Power: 12-30 VDC, 4.5 W

Weight: 1.0 lb (.45 kg) without AC adapter

CE COMPLIANCE

This product has been tested and shown to comply with European CE requirements for the EMC Directive. Please note that shielded cable must be used.

Declaration of Conformity

Application of Council Directives:

89/336/EEC

Standards to which Conformity is Declared:

EN 50081-1

EN 55022 (CISPR 22 class A)

EN 50082-1 (IEC 801-2, 3, 4)

Manufacturer's Name and Address:

R. M. Young Company

Traverse City, MI, 49686, USA

Importer's Name and Address:

See Shipper or Invoice

Type of Equipment:

Meteorological Instruments

Model Number / Year of Manufacture:

06206/1996

I, the undersigned, hereby declare that the equipment specified conforms to the above Directives and Standards.

Date / Place:

Traverse City, Michigan, USA February 19, 1996



David Poinsett

R & D Manager, R. M. Young Company

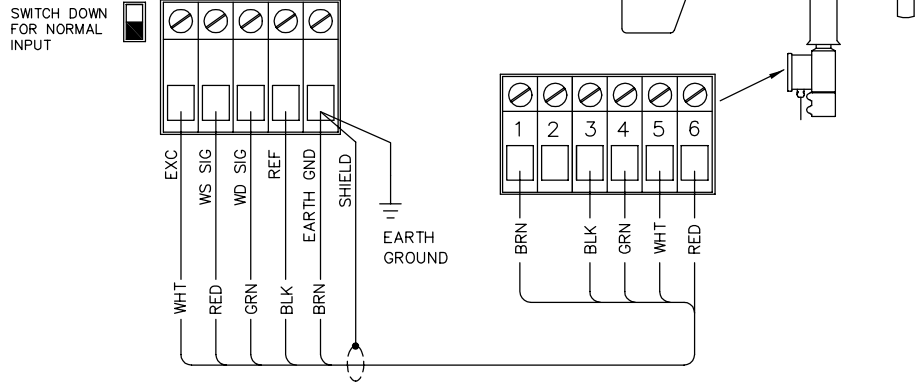


MARINE WIND TRACKER

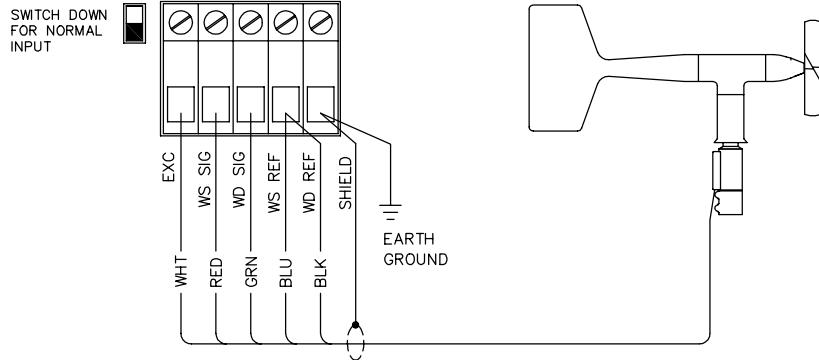
WIRING DIAGRAMS

NOTE: EARTH GROUND CONNECTION TO GROUND TERMINAL OF WIND TRACKER REQUIRED.

WIND SENSOR
05103, 04101

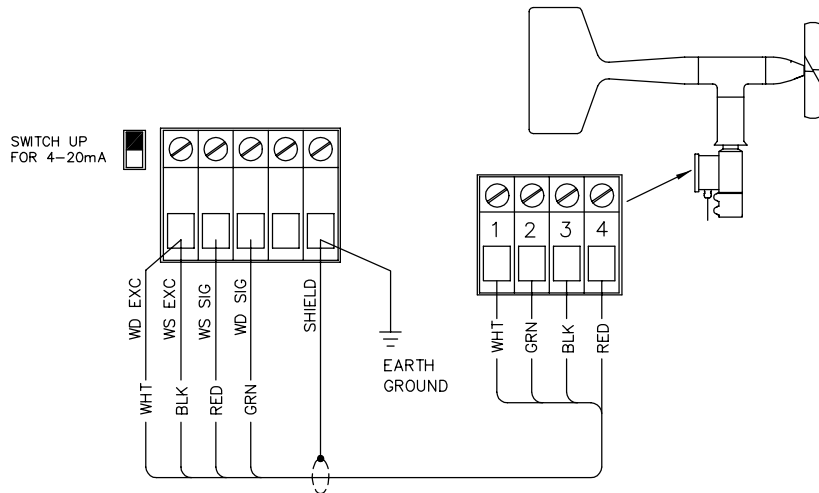


WIND SENSOR
05106, 04106



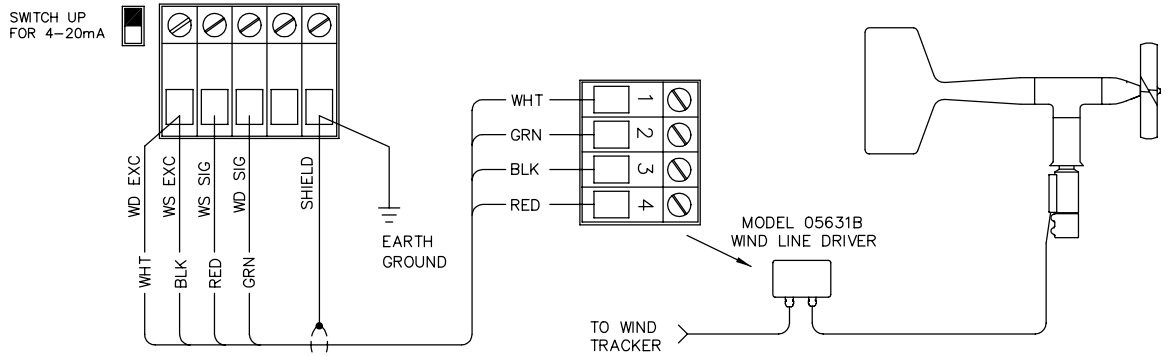
WIND SENSOR
05103LM, 04101LM

WITH 4-20mA
OUTPUTS



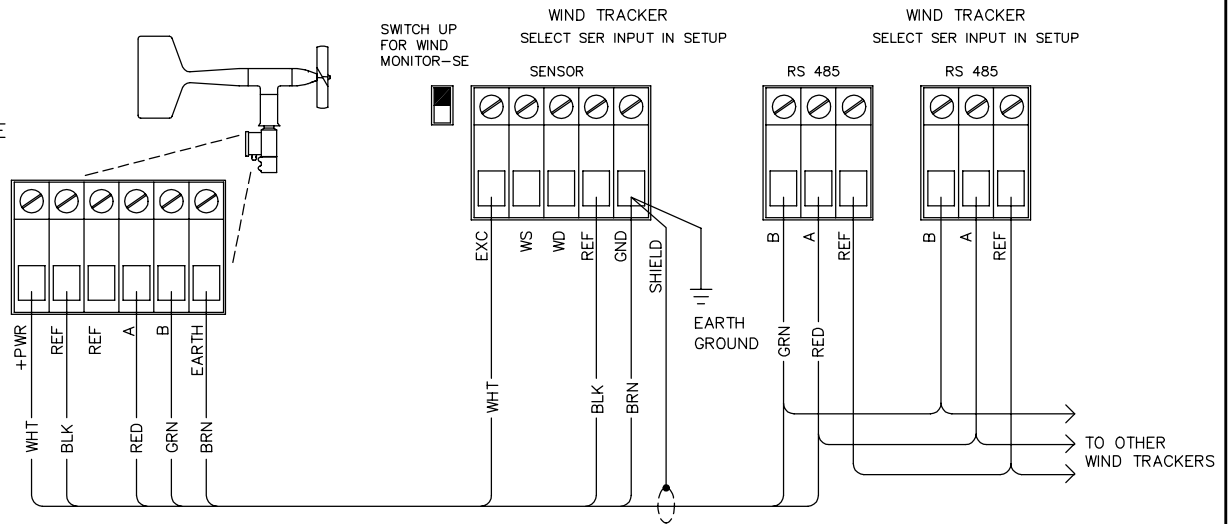
WIND SENSOR
05106, 04106

WITH 4-20mA
LINE DRIVER

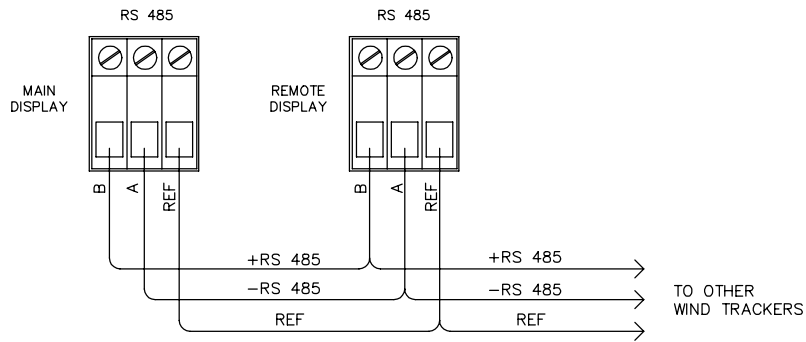




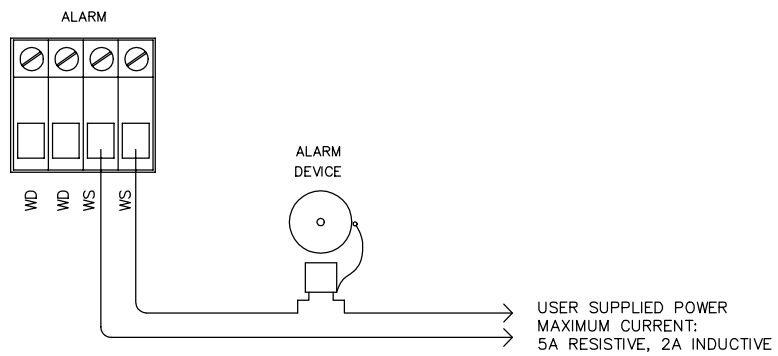
MODEL 09101
WIND MONITOR-SE



REMOTE
DISPLAYS



ALARM/RELAY
NON-LATCHING



VOLTAGE
OUTPUTS

